



**ALPHA GLOBAL** An ISO 9001:2015 Certified Company  
A-701, FAIRDEAL HOUSE, SWASTIK X ROAD, NAVRANGPURA, AHMEDABAD-380009  
Tel: +91-79-30250695 Mob: 9825020695, 8320946269  
E-mail: sales@alphaglobalind.com, alpha\_abad@yahoo.co.in  
www.alphaglobalind.com



# SS Centrifugal Pump

## Pharmaceuticals / Dairy / Milk Pump

### Sanitary Centrifugal Pump

CFS Series

We supply a wide array of dairy and pharmaceutical pumps, which are made from high quality rolled stainless steel. Our range of dairy and pharmaceutical pumps features unique designs, trouble free safe and smooth operation. We also customize these pumps as per the specific requirements of clients.





... 2 ...

- Superior quality • Value for money
- Trouble free performance • Product customization
- Rapid delivery of both custom & standard pumps
- Higher efficiency • Innovative design
- Responsibility of product/performance / service



## Features :

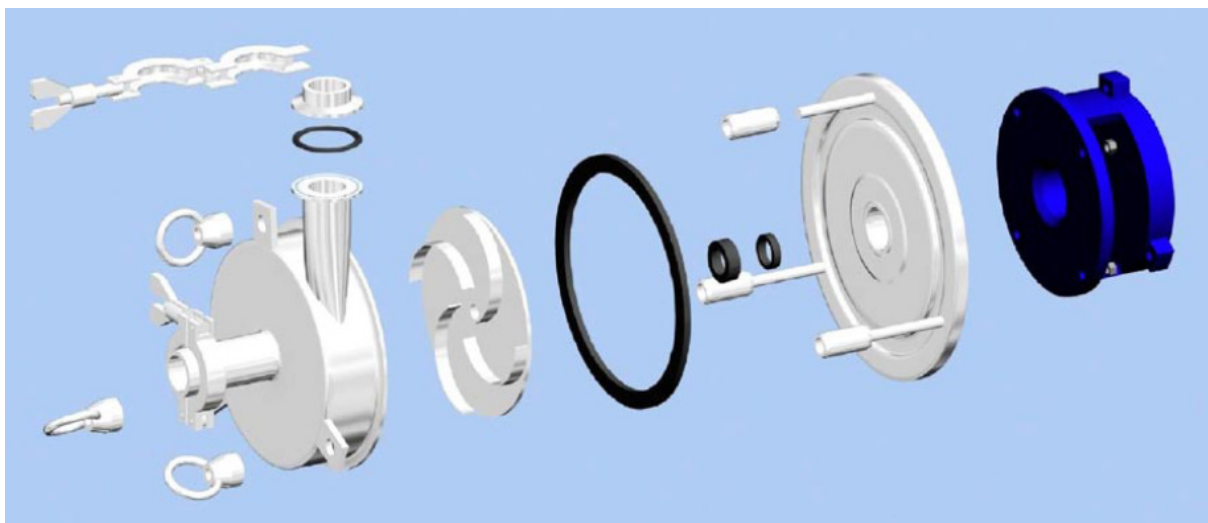
- As all pumps are made from rolled stainless steel, mechanical properties are far superior than cast material.
- Pore free, non-pitting and non-adhering smoother surface, so less friction losses, and less crevice corrosion.

...3



... 3 ...

- Super finish surface also ensure no ingress or emission of germs or impurities during pumping or idling which is basic requirement of sterile hygienic application.
- Designed for CIP (clean in place) or manual cleaning
- Pumps are highly energy efficient and requires less NPSH to function without cavitations
- Pump can handle liquids having viscosities up to 1500 centipoise
- The pumps can work under a vacuum of 720 mm of Hg, suitable for vacuum evaporators.
- Pumps are available with open/semi open impellers.
- The best elastomers are used in the pumps to provide optimum resistance for high temperatures and chemicals.
- Minimum working / rotating parts
- Safe and quite operation levels.
- Gentle product handling with lower maintenance and down line cost.



...4



... 4 ...

## Parts :

No.	Description	No.	Description
1	Eye Type Wing Nut	9	Stud S.S.
2	Triclover Joint	10	Back Plate S.S.
3	Cassing S.S.	11	Bearing Bracket CI
4	Impeller Nut S.S.	12	Impeller Key S.S.
5	Impeller S.S.	13	Rotor Shaft S.S.
6	Gasket	14	Part of Triclover
7	Mechanical Seal	15	Motor Cover S.S.
8	Distance Piece S.S.	16	Motor

## Materials OF Construction :

<b>Casing</b>	<b>AISI 316 / 316L / 304 L / 304</b>
<b>Impeller</b>	<b>AISI 316 / 316L / 304 L / 304</b>
<b>Wear plate</b>	<b>AISI 316 / 316L / 304 L / 304</b>
<b>Shaft</b>	<b>AISI 316 / 316L / 304 L / 304</b>
<b>Seal</b>	<b>TC / TC, SIC / SIC, SS/Carbon or even seal in special application</b>
<b>Motor Cover</b>	<b>SS-304 /S202</b>
<b>Gasket</b>	<b>Viton / Nitrile / Silicon / PTFE</b>

...5



... 5 ...

## Water Rating Chart :

MODEL	HP	SIZE	Head in Meter Discharge in LPM at 2900 RPM													
			3	5	7	10	12	15	17	20	22	25	27	30	35	40
CFS-1	0.25	12X12	40	32	-	-	-	-	-	-	-	-	-	-	-	-
CFS-2	0.5	25X25	-	100	45	-	-	-	-	-	-	-	-	-	-	-
CFS-3	1	25X25	-	-	140	120	70	35	-	-	-	-	-	-	-	-
CFS-3A	1	38X38	-	-	181	95	50	-	-	-	-	-	-	-	-	-
CFS-4A	1.5	38X38	-	-	-	-	160	130	90	75	-	-	-	-	-	-
CFS-4B	1.5	50X50	-	-	-	250	166	85	-	-	-	-	-	-	-	-
CFS-5A	2	38X38	-	-	-	-	210	180	140	100	75	40 at 18 mtr		-	-	-
CFS-5B	2	50X50	-	-	310	240	160	80	-	-	-	-	-	-	-	-
CFS-6A	3	50X38	-	-	-	-	-	-	-	250	220	180	135	108	50 at 33 mtr	
CFS-6B	3	50X50	-	-	-	-	-	330	300	290	225	150	-	-	-	-

MODEL	HP	SIZE	Head in Meter Discharge in LPM at 2900 RPM								
			16	20	24	28	32	36	40	44	48
CFS-7A	5	50X38	-	-	260	230	190	145	90	-	-
CFS-7B	5	65X50	400	370	300	230	180	-	-	-	-
CFS-8A	7.5	50X38	-	-	290	280	250	225	190	120	60
CFS-8B	7.5	65X50	500	450	385	280	230	-	-	-	-
CFS-9A	10	50X38	-	500	480	470	450	410	350	290	190
CFS-9B	10	65X50	560	510	450	370	280	210	150	-	-

**Note : Special Pumps for Higher Capacity and Head are available on request.**



**ALPHA GLOBAL** An ISO 9001:2015 Certified Company

A-701, FAIRDEAL HOUSE, SWASTIK X ROAD, NAVRANGPURA, AHMEDABAD-380009

Tel: +91-79-30250695 Mob: 9825020695, 8320946269

E-mail: sales@alphaglobalind.com, alpha\_abad@yahoo.co.in

www.alphaglobalind.com



... 6 ...



**TROLLEY MOUNTED WITH  
TRICLOVE JOINTS.**



**FABRICATED BIG SIZE LARGE  
QUANTITY PUMP**



**TROLLEY MOUNTED  
BARE PUMP**



**COMPLETE SS COVERED  
PUMP**



**PUMP WITHOUT COVER**



**PUMP WITH DAIRY  
CONNATION AND STAND**



**IMPELLER MADE AS PER  
CUSTOMER DESIGN**



**PUMP WITH SELFPRIMING  
OPENABLE CHAMBER**



**0.25 HP PUMP**

<<< \*\*\*\*\* >>>